

CAMBRIDGE INTERNATIONAL EXAMINATIONS

Cambridge International Advanced Subsidiary and Advanced Level

MARK SCHEME for the October/November 2015 series

9691 COMPUTING

9691/11

Paper 1 (Written Paper), maximum raw mark 75

This mark scheme is published as an aid to teachers and candidates, to indicate the requirements of the examination. It shows the basis on which Examiners were instructed to award marks. It does not indicate the details of the discussions that took place at an Examiners' meeting before marking began, which would have considered the acceptability of alternative answers.

Mark schemes should be read in conjunction with the question paper and the Principal Examiner Report for Teachers.

Cambridge will not enter into discussions about these mark schemes.

Cambridge is publishing the mark schemes for the October/November 2015 series for most Cambridge IGCSE[®], Cambridge International A and AS Level components and some Cambridge O Level components.

© IGCSE is the registered trademark of Cambridge International Examinations.

Page 2	Mark Scheme	Syllabus	Paper
	Cambridge International AS/A Level – October/November 2015	9691	11

1 (a) 1 mark for device + correct reason.

Input devices

- | | |
|-------------------------------|---|
| barcode reader/scanner | – to read the barcode <u>on the product</u> |
| keyboard / keypad | – to key in barcode if scanner fails |
| | – key in PIN from customer credit card |
| | – key in number of items |
| touchscreen | – select items of fresh fruit, etc. |
| weighing device | – to weigh loose items |
| magnetic stripe / chip reader | – to read magnetic stripe / chip on credit card |

Output devices

- | | | |
|----------------------|---|-----|
| screen / monitor | – to show item description / price/total bill | |
| printer | – to produce itemised bill/coupons | |
| beeper / loudspeaker | – to indicate barcode read OK | |
| | – to indicate barcode failed to read OK | [4] |

(b) Four from:

- data is sent to the printer buffer
 - once buffer is full, printer empties the buffer ...
 - ... meanwhile processor gets on with other jobs
 - when (printer) buffer is empty ...
 - ... printer sends interrupt to processor
 - requesting more data
 - interrupt processed according to its priority
- [4]

Page 3	Mark Scheme	Syllabus	Paper
	Cambridge International AS/A Level – October/November 2015	9691	11

2 (i) Three from:

- software which erases contents of whole disk
- to setup / configure the disk for first use
- tracks and sectors checked to ensure correct format/identifies bad sectors
- identifies FAT (file allocation table) / NTFS (new technology file system)
- used to prepare a new disk for use
- disk surface divided into tracks and sectors (both) [3]

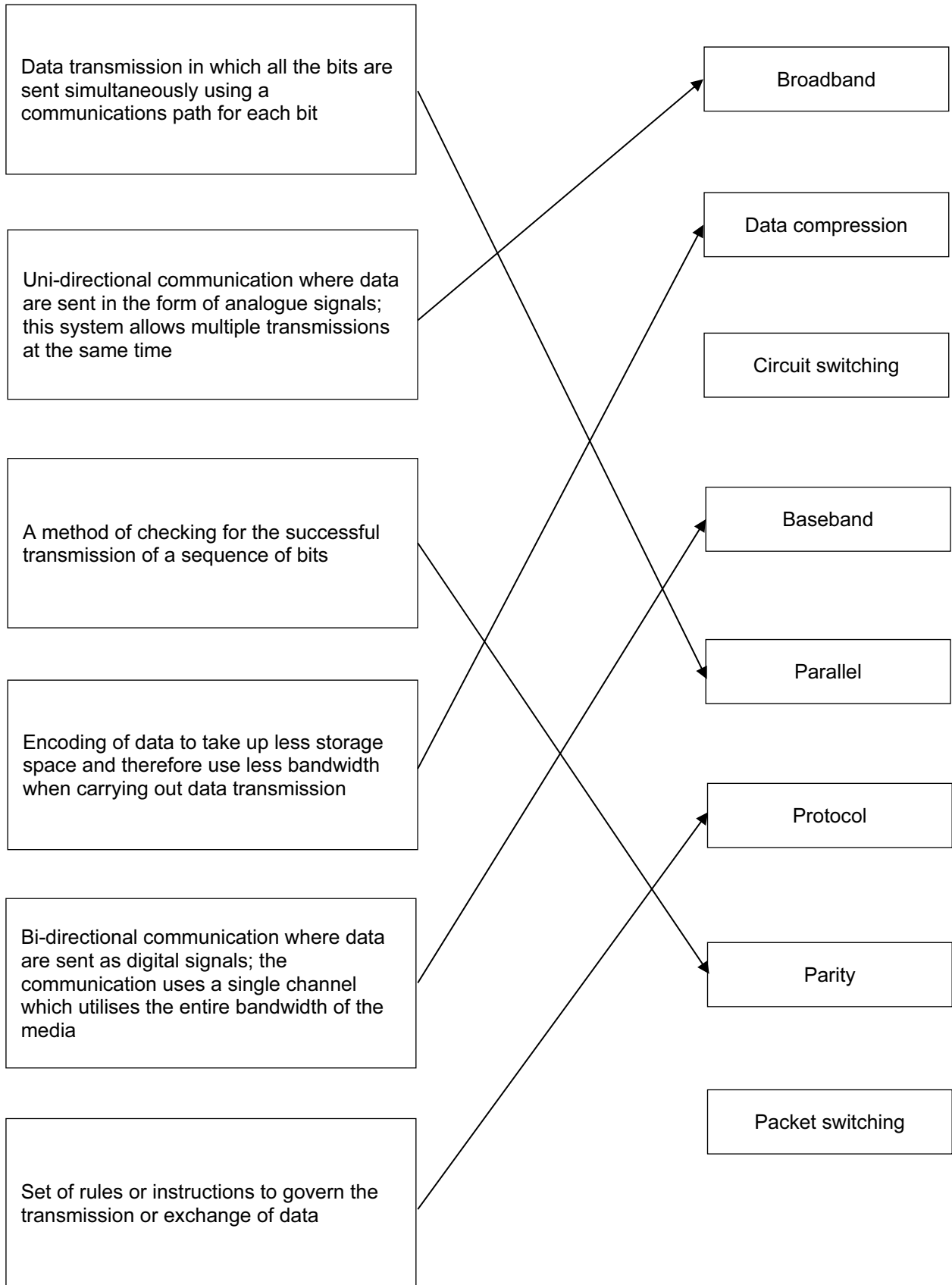
(ii) Three from:

- to allow the printer to communicate with the computer
- software supplied with printer hardware
- many often recognised by operating system automatically
- allows communication between hardware and operating system
- converts commands into instructions that can be carried out [3]

(iii) Three from:

- software that continuously checks for viruses ...
- ... and is running in the background
- indicates when / if a virus is found
- can remove / quarantine the virus
- checks disks and downloads for viruses automatically / asks user if they want virus scan
- to protect the computer from viruses / to detect viruses [3]

3 1 mark for each correct line entered



[6]

Page 5	Mark Scheme	Syllabus	Paper
	Cambridge International AS/A Level – October/November 2015	9691	11

4 (a) 1 mark for each correct tick (✓).

If more than two ticks then take away 1 mark for each incorrect tick.

Sensor	Suitable (✓)
motion	
oxygen	✓
acidity (pH)	✓
pressure	
humidity	

[2]

(b) (i) Two from:

- greater security than “public” line / less likely to be “tapped into” / hacked than a public line
- faster data transmission
- doesn’t share data with other users
- lower level of latency (less time between initiating a request and receiving an answer)
- always available
- no rental costs from public companies

[2]

(ii) Serial

- data sent one bit at a time
- down a single channel / line (NOT cable)

Full-duplex

- data sent in both directions
- at the same time / simultaneously

[4]

(iii) Four from:

- data from sensors sent to processor
- ADC reference if it is clear sensor is analogue
- data stored on computer / in a database / in a spreadsheet
- data are compared against predefined acceptable values
- if values are not within the limits a warning is generated
- visually on monitor / audio signals
- graphs can be automatically produced from sensor data

[4]

Page 6	Mark Scheme	Syllabus	Paper
	Cambridge International AS/A Level – October/November 2015	9691	11

5 (a) Bus

Benefits

- requires less cabling (than other two)
- cheapest (of the three) to set up
- easier to expand the network
- one node fails the rest still operate

Drawbacks

- if there is a fault in central cable, whole network goes down
- number of nodes/stations is limited
- doesn't work well under heavy load
- less secure (than others)
- difficult to isolate a fault / troubleshoot

Star

Benefits

- each node/station has its own cable
- failure on one connection doesn't affect others
- different communication methods possible for different branches
- easier to identify faults / troubleshoot
- easier to expand the network
- network is more secure

Drawbacks

- if the central hub fails, whole network goes down
- more expensive (than others) to set up
- number of nodes/stations that can be added depends on capacity of hub

Ring

Benefits

- traffic is uni-directional so has fast data transmission
- works better than bus under heavy loading
- possible to form very large networks
- no need for a central server
- less costly to set up than a star network

Drawbacks

- faulty connection / failed node can shut down whole network
- more difficult to expand the network
- less secure (than star)
- difficult to find faults/troubleshoot

[6]

Page 7	Mark Scheme	Syllabus	Paper
	Cambridge International AS/A Level – October/November 2015	9691	11

(b) Four from (need some correct description as well as just hardware name)

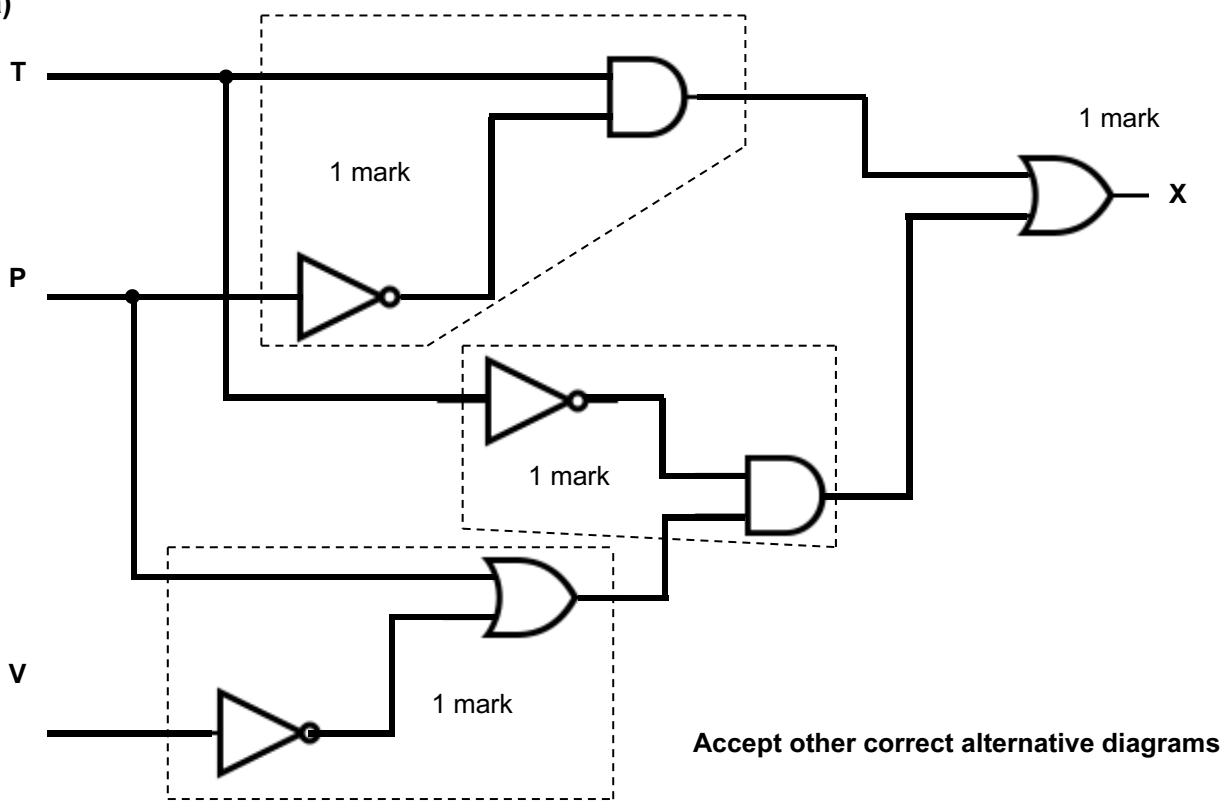
If name only given, then a maximum of two marks.

- hub
 - forwards data/packets to all the devices connected to it
- bridge
 - device/software used to connect two or more segments so they can communicate
- switch
 - reads the IP/MAC address of all the devices connected to it; the switch reads the destination address of the data/packet and sends the data to the destination device only
- network (cat 5) cabling // cable terminators
 - high quality cabling is essential for high speed data transfer // bus network requires two cable terminators
- network interface card (NIC)
 - a circuit board inserted into each node (PC/workstation or server) to allow communication with other nodes
- gateway
 - a network point that acts as an entrance to another network (using a different protocol)
- router
 - operates at the network layer (layer 3) // routing data between nodes // if the router receives a packet which doesn't have a known destination address, it forwards the packet to the default gateway
- server
 - there are many dedicated servers, such as a file server, which have different tasks within the network environment

Accept other sensible hardware items

[4]

6 (a)



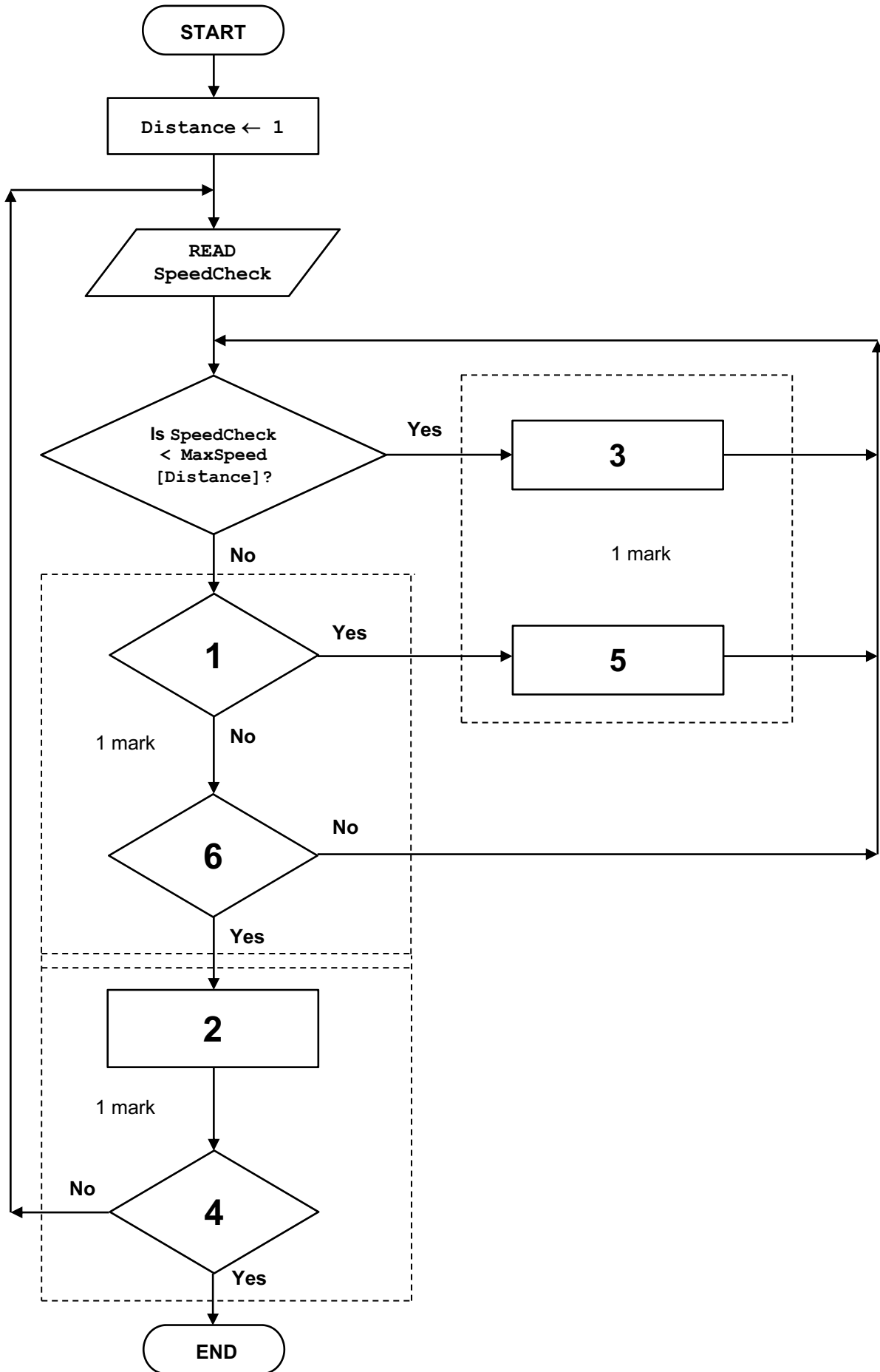
[4]

(b)

Input			Working space	Output
T	P	V		X
0	0	0		1
0	0	1		0
0	1	0		1
0	1	1		1
1	0	0		1
1	0	1		1
1	1	0		0
1	1	1		0

[4]

7 (a)



[3]

Page 10	Mark Scheme	Syllabus	Paper
	Cambridge International AS/A Level – October/November 2015	9691	11

(b) Three from (need name + description which fits scenario) for 1 mark

- writing the program code
 - implement the flowchart design as a working program
- testing
 - check to make sure the program works correctly / ensure there are no errors
- documentation
 - creating a user manual for the control room staff / technical documentation for the programmers/operations staff
- implementation / installation
 - installing the new software in the train system
- evaluation
 - checking the new software system meets all of the requirements [3]

(c) 1 mark for type + **1 mark** for situation

- corrective
 - errors have been found in the software which need to be corrected / not found during testing
- perfective
 - the overall performance of the system needs to be improved [4]

Page 11	Mark Scheme	Syllabus	Paper
	Cambridge International AS/A Level – October/November 2015	9691	11

(d) (i) A: 158

B: 85

[2]

(ii)

1	0	1	1	0	1	0	0
---	---	---	---	---	---	---	---

[1]

8 (a) (i) Navigation buttons // move to a different screen // move backwards and forwards

[1]

(ii) One from:

- use of colour green/red to show valve is open/closed
- show this visually at position 6 in diagram

Accept sensible alternatives

[2]

(iii) Slider, which is labelled 0 and 20, arrow pointer indicates current value

Accept sensible alternatives

[2]

(b) Two from:

- usually have limited desk space in a control room
- need for a mouse pad to ensure its correct operation
- known health risks from long term use of a mouse
- mouse tends to pick up dirt/dust/chemicals which hinders its operation
- difficult to operate if wearing protective gloves/clothing

[2]

(c) Two from:

- computers respond faster than humans to a dangerous situation
- computers can monitor many plant parameters at the same time
- computers don't lose concentration / get tired / operate 24–7
- reduce human error factor
- it is easier for a human to “miss something”
- idea of keeping humans away from dangerous situations

[2]